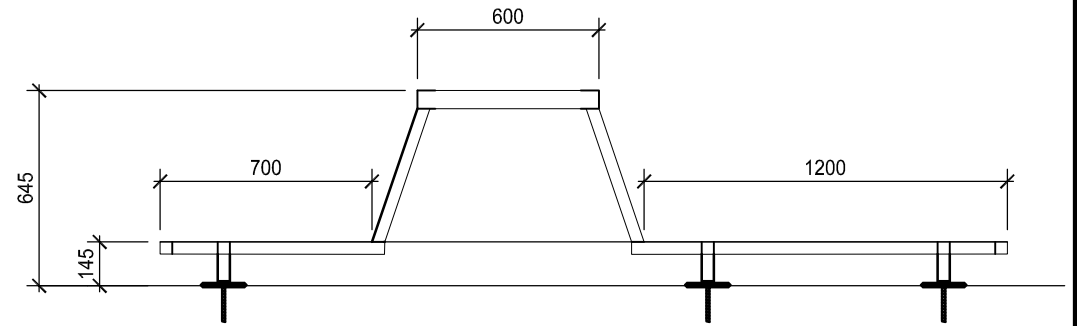
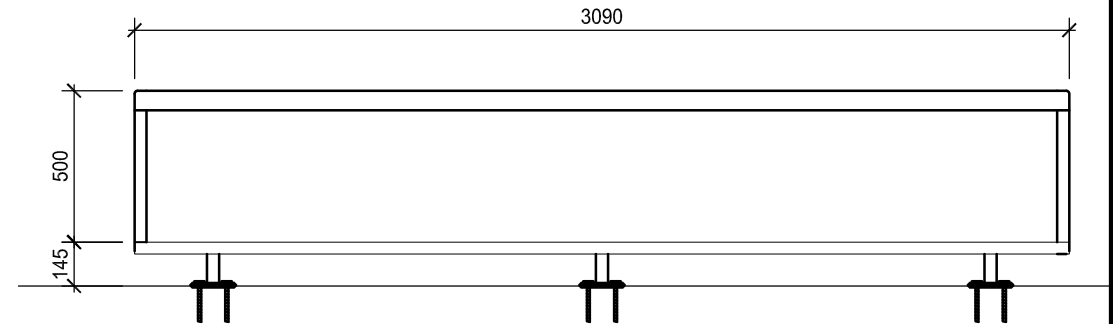


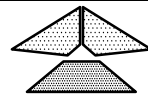
PLAN VIEW



SIDE ELEVATION



FRONT ELEVATION



Outdoor Structures Australia
 Practical solutions that enhance community design projects

Old College Road, Gatton, Queensland, Australia
 PO Box 517, Gatton, Queensland, Australia. 4343
 Ph: (07) 5462 4255 Fax: (07) 5462 4077
 Email: timber.tek@uq.net.au Website: www.outdoorstructures.com.au

Date	Description		
MAY 2007	PICNIC STANDARD		
Drawn			
Approved	Scale	Job No	Drawing No
	1:25 @ A4		