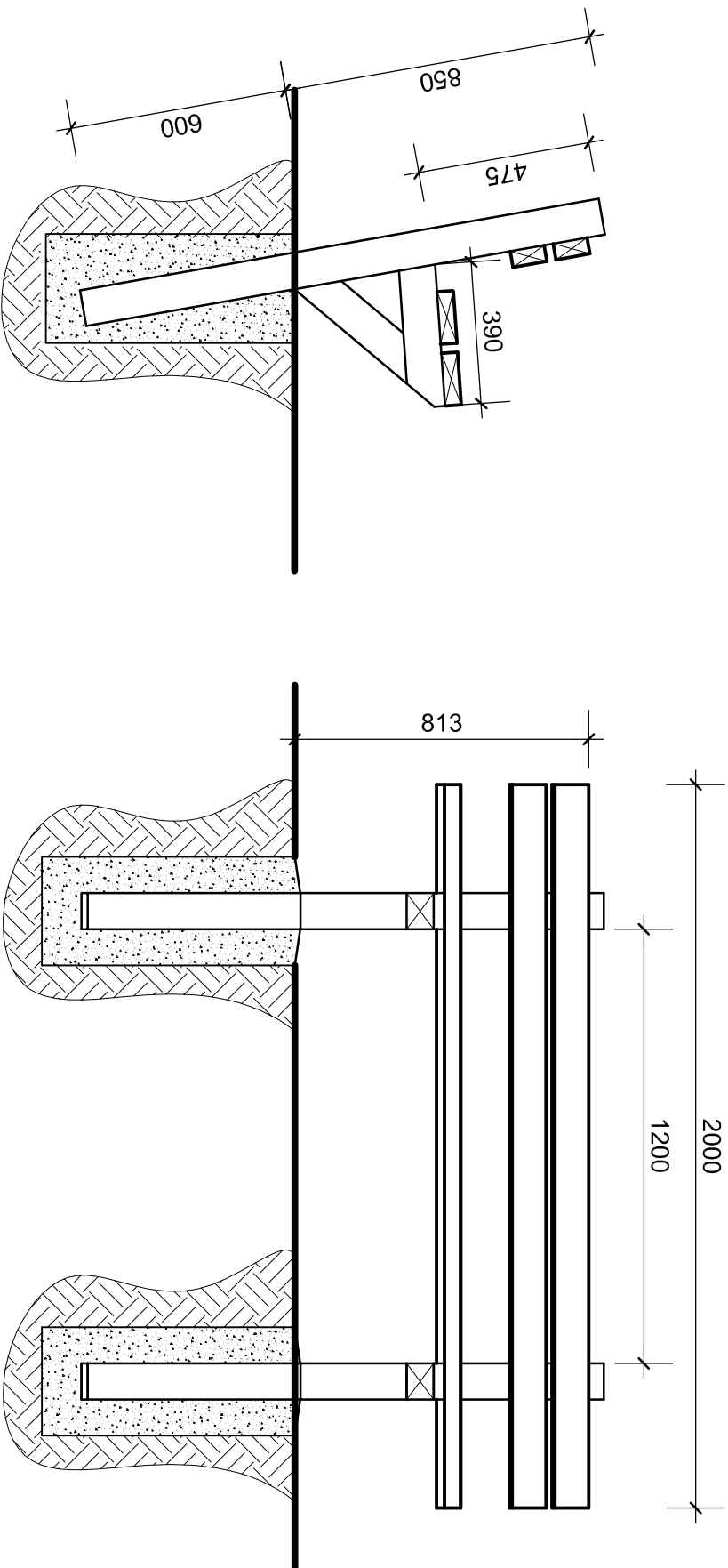


SPECIFICATION

RevNo | Revision note

Date | Signature | Checked

- TIMBER TREATMENT
FREE OF HEART . - SPOTTED GUM.
PRESSURE TREATED WITH TANALISED ECOWOOD.
LIFETIME GUARANTEE AGAINST TERMITES AND DECAY.
- CASTING
NIL REQUIRED.
FULLY ASSEMBLED OR PART ASSEMBLED.
- HARDWARE
STAINLESS STEEL BATTEN SCREWS / HOT DIP GALVANISED / VANDAL RESISTANT SCREWS.
- FIRE PROTECTION
SELECT HARDWOOD OVER PINE
- VANDALISM
SELECT HARDWOOD OVER PINE




Outdoor Structures Australia
Practical solutions that enhance community design projects

Old College Road, Gattton, Queensland, Australia
 PO Box 517, Gattton, Queensland, Australia, 4343
 Ph: (07) 5462 4255 Fax: (07) 5462 4077
 Email: timber.tek@ug.net.au Website: www.outdoorstructures.com.au

Date	DEC 2004	LAWSON RANGE OF TABLES & SEATS FREE STANDING TIMBER SEAT MODEL HD-030	Scale	Job No	Drawing No
Drawn	E.M.S.				
Approved		NOT TO SCALE			HD-030

Description