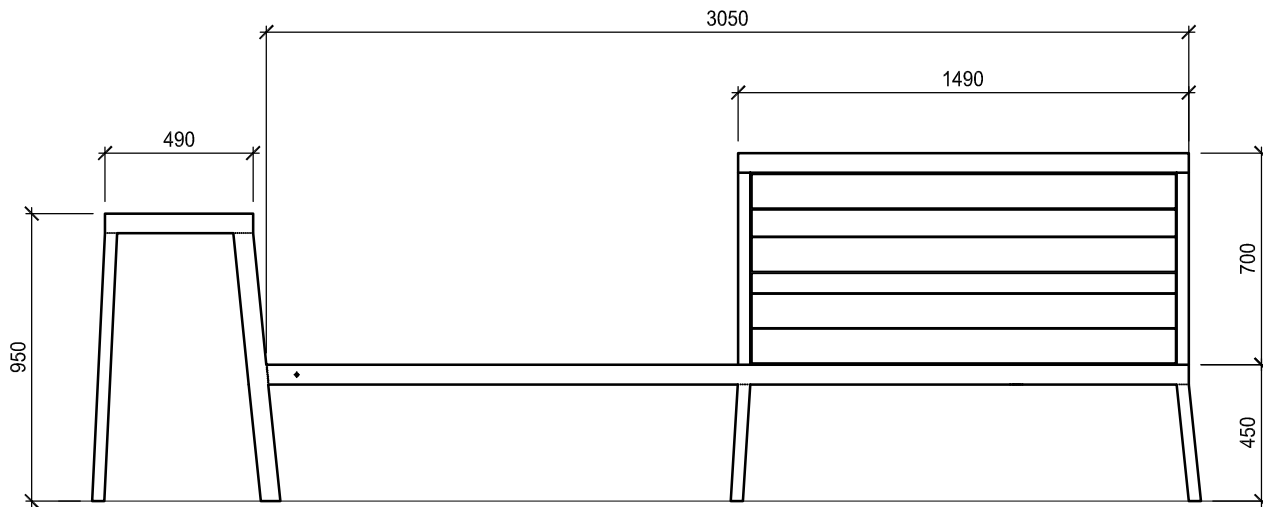
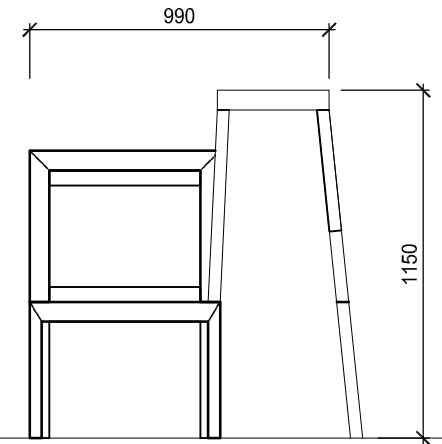


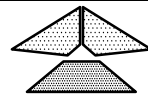
PLAN VIEW



FRONT ELEVATION



SIDE ELEVATION



Outdoor Structures Australia
Practical solutions that enhance community design projects

Old College Road, Gatton, Queensland, Australia
PO Box 517, Gatton, Queensland, Australia. 4343
Ph: (07) 5462 4255 Fax: (07) 5462 4077
Email: timber.tek@uq.net.au Website: www.outdoorstructures.com.au

Date	Description		
MAY 2007	CHAISE WITH OPTIONAL REST		
Drawn			
Approved	Scale	Job No	Drawing No
	1:25 @ A4		