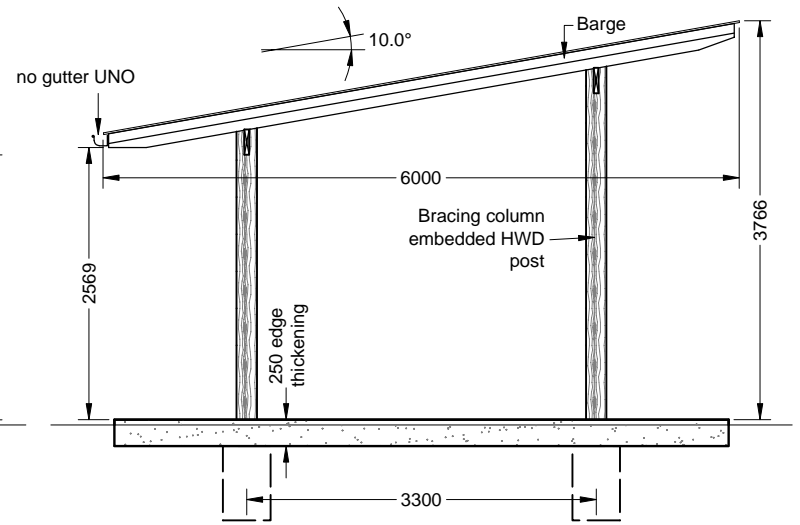
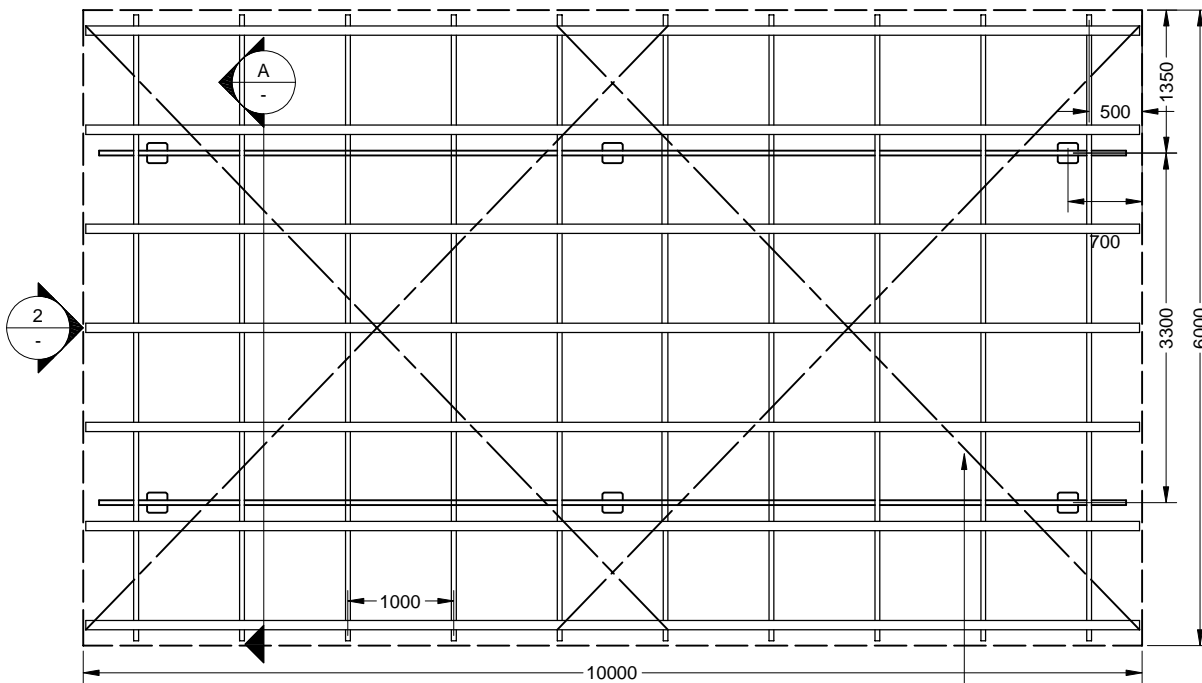


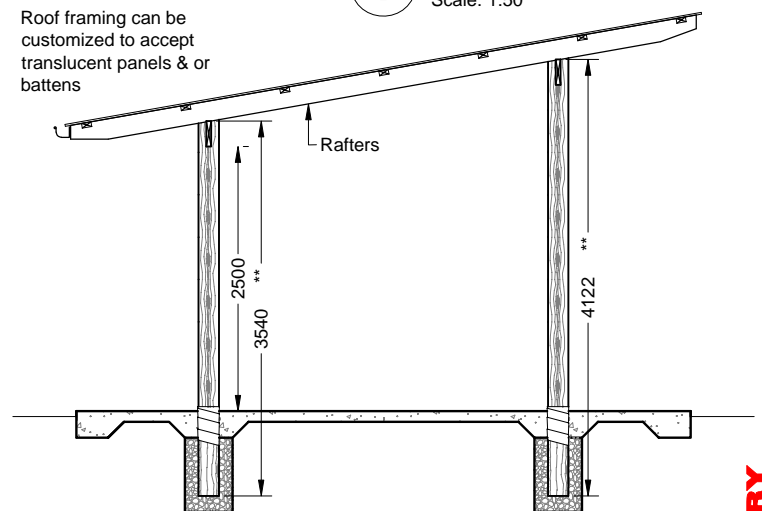
ELEVATION 1 LOW SIDE
Scale: 1:50



ELEVATION 2 END
Scale: 1:50



PLAN ROOF FRAMING
Scale: 1:50



SECTION A
Scale: 1:50

** Dimension from bottom to top of column

Speedbrace fixed in accord with manufacturer's Instructions

PRELIMINARY NOT FOR CONSTRUCTION

SYM	Description	Date
A		
REVISIONS		



JAMES PIERCE & ASSOCIATES
CONSULTING ENGINEERS
james@pierce.net.au t (07) 3899 2085

© Copyright 2007 James Pierce & Associates. This design & drawing is confidential and shall only be used for the purpose & extent of this current project.

PROPOSED LINDSAY SHELTER 10000 X 6000 HWD EMBEDDED COLUMN for OUTDOOR STRUCTURES AUSTRALIA

GENERAL ARRANGEMENT

Scales as shown when A3	
Approved	
Created 15-05-2007	1 of 5
Dwg No. 06-57 L 10x6 E-1	