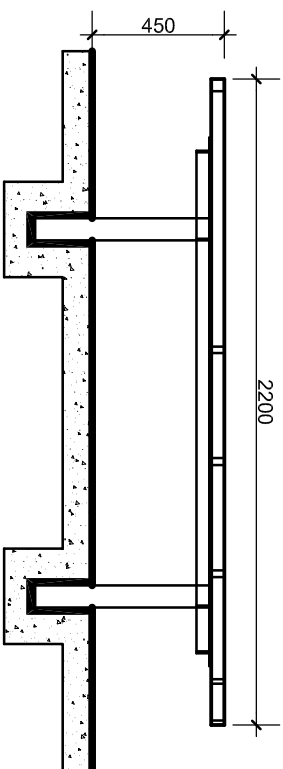
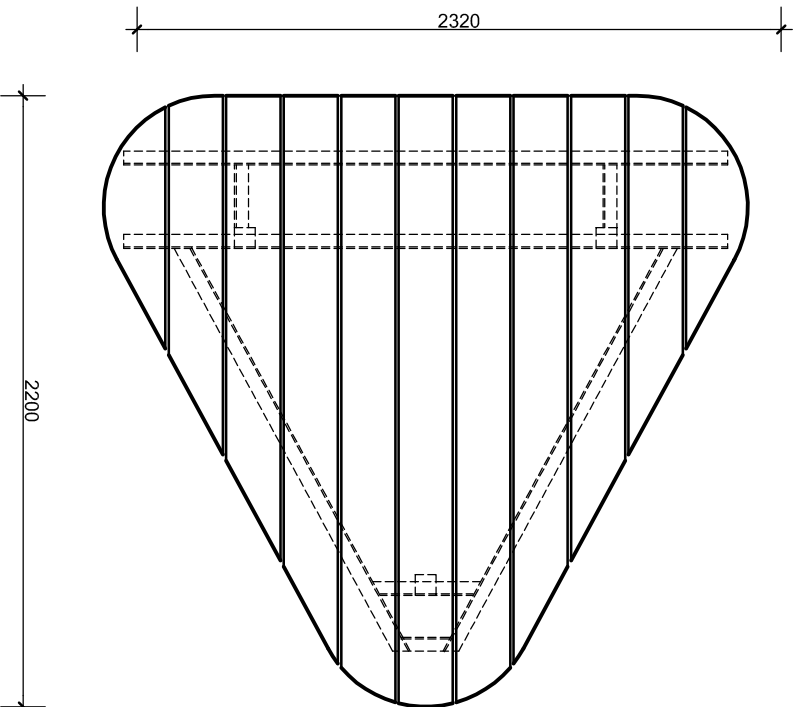


SPECIFICATION

- TIMBER TREATMENT
FREE OF HEART . - SPOTTED GUM.
PRESSURE TREATED WITH TANALISED ECOWOOD.
LIFETIME GUARANTEE AGAINST TERMITES AND DECAY.
- CASTING SUPPLY
FULLY ASSEMBLED OR PART ASSEMBLED.
STAINLESS STEEL BATTEN SCREWS / HOT DIP GALVANISED / VANDAL RESISTANT SCREWS.
- HARDWARE
SELECT HARDWOOD OVER PINE
SELECT HARDWOOD OVER PINE
- FIRE PROTECTION
SELECT HARDWOOD OVER PINE
SELECT HARDWOOD OVER PINE
- VANDALISM
SELECT HARDWOOD OVER PINE



OPTION OF BASE
PLATE MOUNT AVAILABLE

SIDE ELEVATION

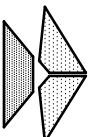
Copyright Guymer Bayley Architects - used with permission

RevNo Revision note

Date

Signature

Checked



Outdoor Structures Australia
Practical solutions that enhance community design projects

Old College Road, Gatton, Queensland, Australia
PO Box 517, Gatton, Queensland, Australia, 4343
Ph: (07) 5462 4255 Fax: (07) 5462 4077
Email: timber.tel@qnet.au Website: www.outdoorstructures.com.au

Date

JAN 2005

Drawn

E.M.S.

Approved

E.M.S.

OUTDOOR STRUCTURES AUSTRALIA

HARDWOOD FURNITURE

LAWSON PLATFORM

MODEL HD-020A

Scale

NOT TO SCALE

Description

Job No

OSA

Drawing No

HD-021A