

SPECIFICATION

TIMBER

TREATMENT

CASTING

SUPPLY

HARDWARE

FREE OF HEART . - SPOTTED GUM.

PRESSURE TREATED WITH TANALISED ECOWOOD.

LIFETIME GUARANTEE AGAINST TERMITES AND DECAY.

NIL REQUIRED.

FULLY ASSEMBLED OR PART ASSEMBLED.

STAINLESS STEEL BATTEN SCREWS / HOT DIP GALVANISED /

VANDAL RESISTANT SCREWS.

FIRE PROTECTION
VANDALISM

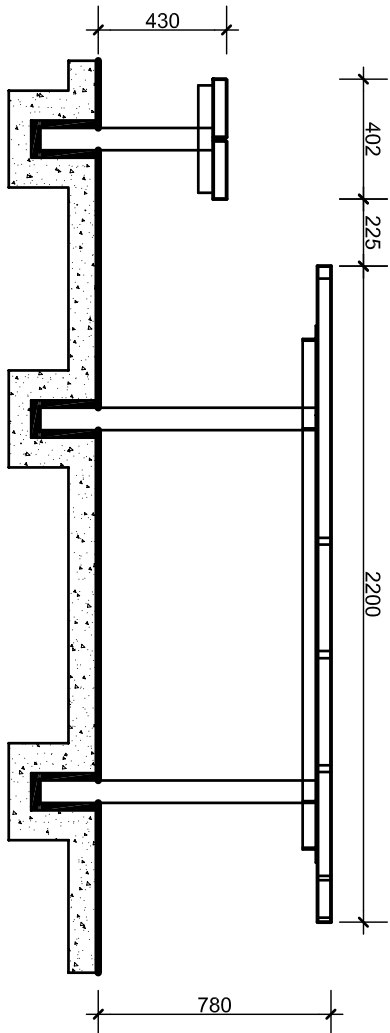
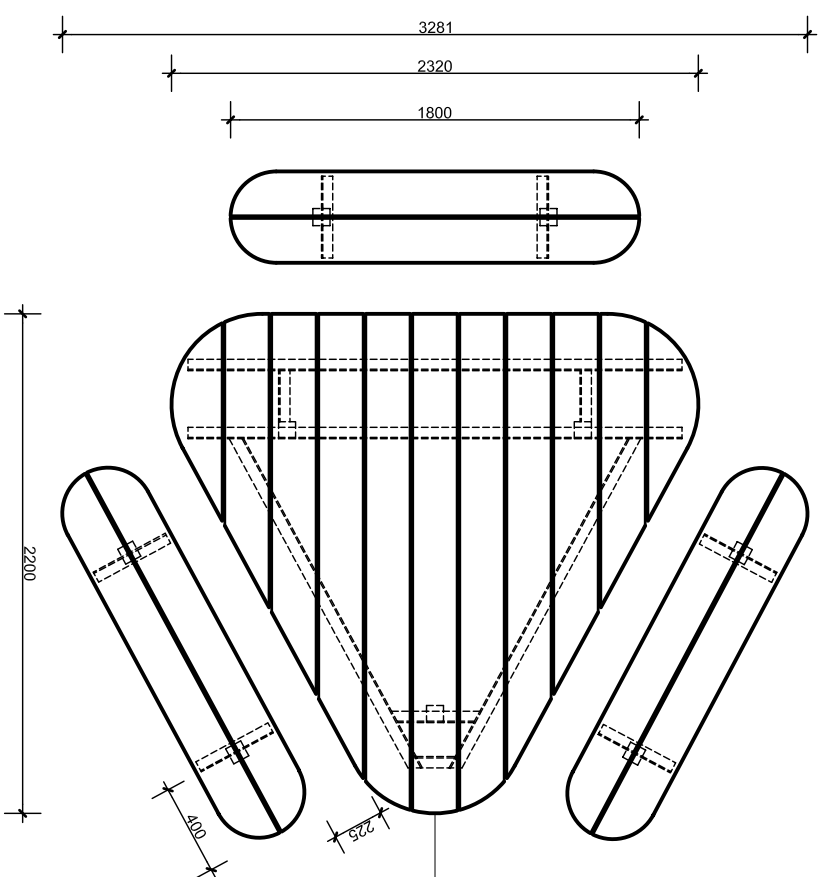
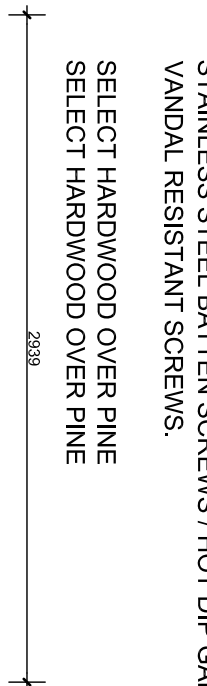
SELECT HARDWOOD OVER PINE
SELECT HARDWOOD OVER PINE

RevNo Revision note

Date

Signature

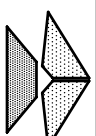
Checked



OPTION OF BASE
PLATE MOUNT AVAILABLE

SIDE ELEVATION

Copyright Guymer Bayley Architects - used with permission



Outdoor Structures Australia
Practical solutions that enhance community design projects

Old College Road, Gatton, Queensland, Australia
PO Box 517, Gatton, Queensland, Australia, 4343
Ph: (07) 5462 4255 Fax: (07) 5462 4077
Email: timber.tek@ug.net.au Website: www.outdoorstructures.com.au

Date	JAN 2005	OUTDOOR STRUCTURES AUSTRALIA	Description
Drawn	E.M.S.	HARDWOOD FURNITURE	
Approved	E.M.S.	LAWSON BARBECUE SETTING	
Scale	MODEL HD-020A		
Job No	NOT TO SCALE		
	OSA		
Drawing No			HD-020A