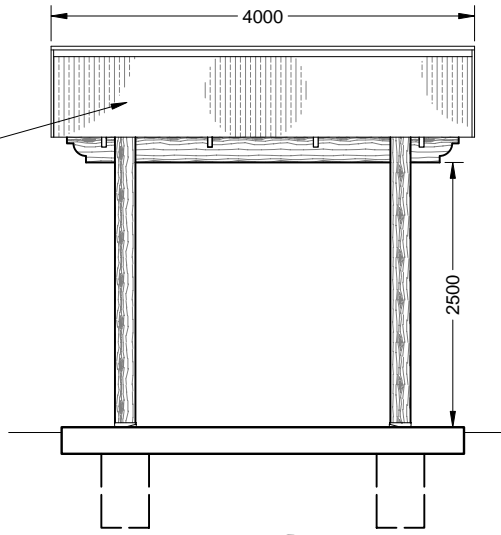
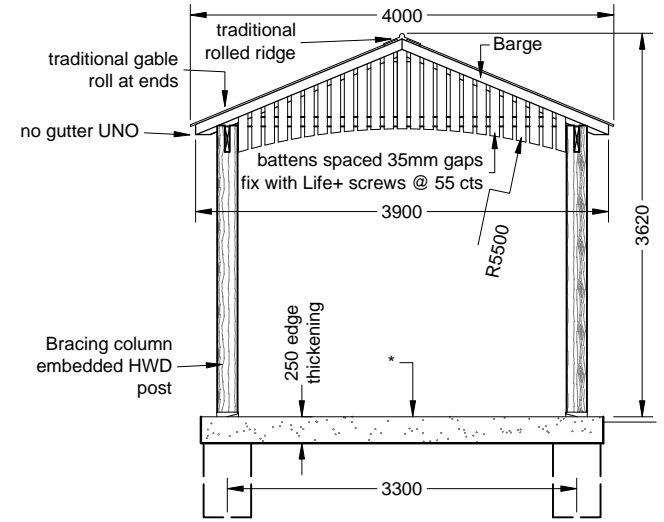


Colorbond custom orb roof sheeting  
 matching colorbond roofing accessories  
 colour as chosen  
 fix roofing as per manufacturer's instructions

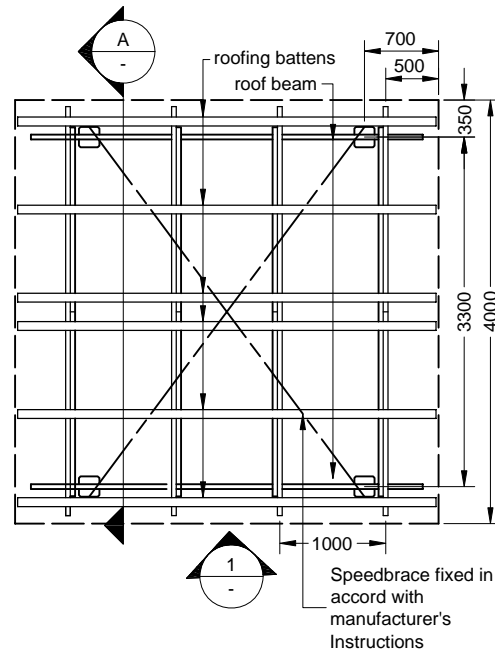


**ELEVATION 1 SIDE**  
 - Scale: 1:50

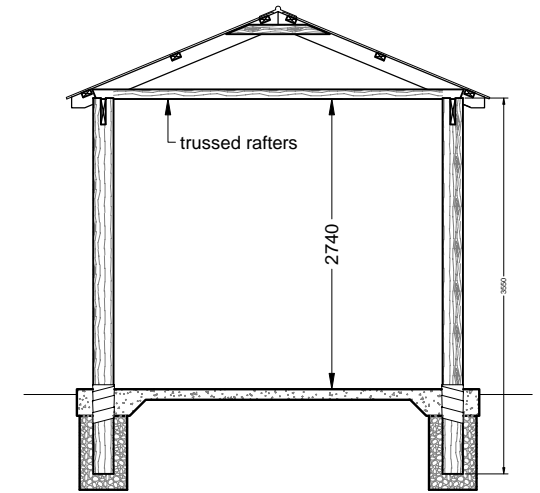


**ELEVATION 2 END**  
 - Scale: 1:50

**DESIGN METHODS**  
 AS 1170, AS 1684  
 Wind N3, detached building, no walls. Free standing  
 obstruction to wind under shelter max 1.2m high.  
 Non-habitable structure Class 10(a) (BCA).  
 AS 2870 - Class 'M' site soil classification.



**PLAN ROOF FRAMING**  
 - Scale: 1:50



**SECTION A**  
 - Scale: 1:50

Column Schedule 6m x 4m					
Member	Size	Grade	Number	Spaword	Ex length
Column	162 Sq	F17 + Durability 1	4	Treated H8	3800

SYM	Description	Date
A		
REVISIONS		



**JAMES PIERCE & ASSOCIATES**  
 CONSULTING ENGINEERS  
 Ph (07) 3899 2085 Fax (07) 3399 6495

© Copyright 2007  
 James Pierce & Associates.  
 This design & drawing is  
 confidential and shall only be  
 used for the purpose &  
 extent of this current project.

**PROPOSED GREGORY SHELTER 4000 X 4000**  
**EMBEDDED HWD COLUMN**  
**for OUTDOOR STRUCTURES AUSTRALIA**  
**GENERAL ARRANGEMENT**

Scales		as shown when A3
<b>Approve</b>		
<b>Created</b> 6-3-2007	<b>1 of 5</b>	
<b>Dwg No. 06-57E4-1</b>	Rev. -	