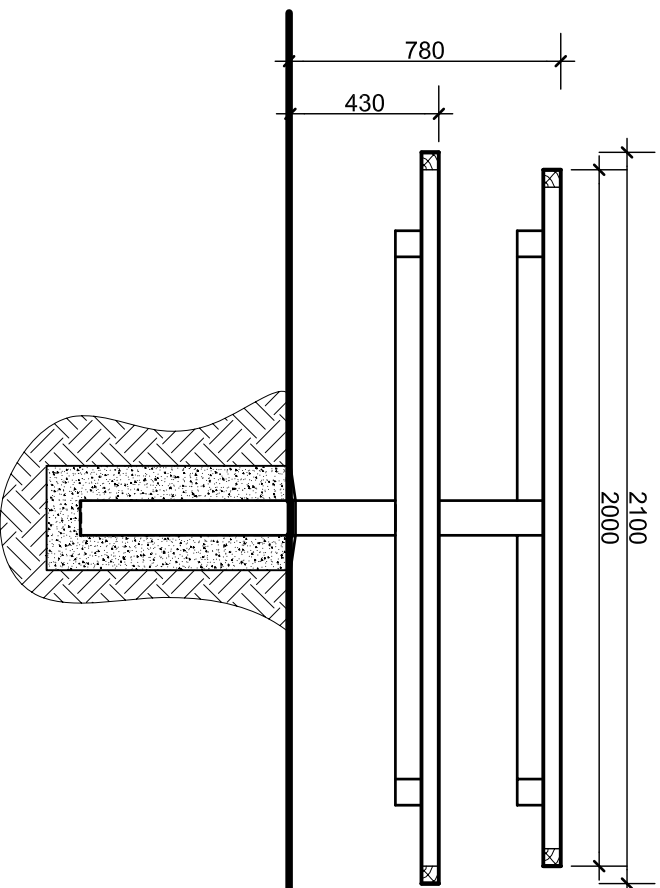
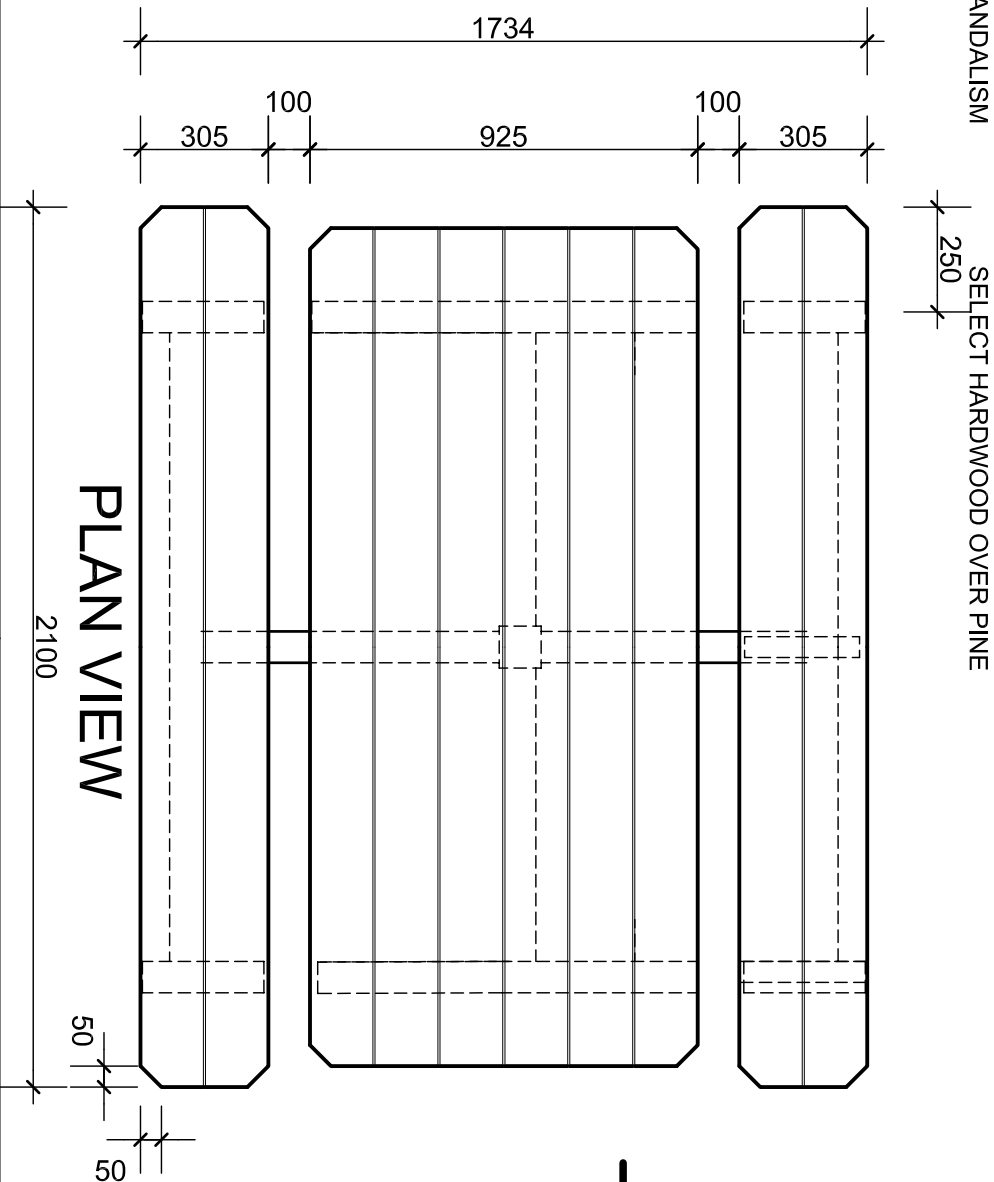


SPECIFICATION

TIMBER TREATMENT FREE OF HEART . - SPOTTED GUM.
 PRESSURE TREATED WITH TANALISED ECOWOOD.
 LIFETIME GUARANTEE AGAINST TERMITES AND DECAY.

CASTING SUPPLY HARDWARE NIL REQUIRED.
 FULLY ASSEMBLED OR PART ASSEMBLED.
 STAINLESS STEEL BATTEN SCREWS / HOT DIP GALVANISED / VANDAL RESISTANT SCREWS.

FIRE PROTECTION VANDALISM SELECT HARDWOOD OVER PINE
 SELECT HARDWOOD OVER PINE

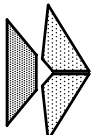


RevNo Revision note

Date

Signature

Checked



Outdoor Structures Australia
 Practical solutions that enhance community design projects

Old College Road, Gatton, Queensland, Australia
 PO Box 517, Gatton, Queensland, Australia, 4343
 Ph: (07) 5462 4255 Fax: (07) 5462 4077
 Email: timber.t@kbuq.net.au Website: www.outdoorstructures.com.au

Date	JULY 2003	OUTDOOR STRUCTURES AUSTRALIA	Description
Drawn	E.M.S.	HARDWOOD FURNITURE	
Approved	E.M.S.	BLACKLAND BARBEQUE TABLE	
Scale	NOT TO SCALE	MODEL HD-005A	
Job No	OSA		
Drawing No	HD-005A		