

Paragon Shelter



- Unique concept
- Design oriented towards youth
- Ideal for skate parks
- Galvanised frame
- Painted timber option

Outdoor Structures

Australia (OSA) has developed a new shelter intended for use where young people gather.

The flexibility in fit out enables an almost custom built arrangement. A typical example is in a skate park where tiered seating was requested. Within hours of its installation it was in heavy use by the targeted group.

This shelter is ideal for areas where a robust product and minimum maintenance requirements are desirable, (e.g. such as a skate park or a remote picnic area).

The shelter is supplied in kit form with all necessary hardware including the cage for the foundation bolts.



OSA Paragon shelter as illustrated combining tiered seating. The standard roof area is 6.0m x 2.6m but can be supplied in longer lengths by adding more posts. The standard multiple is 2.45m.

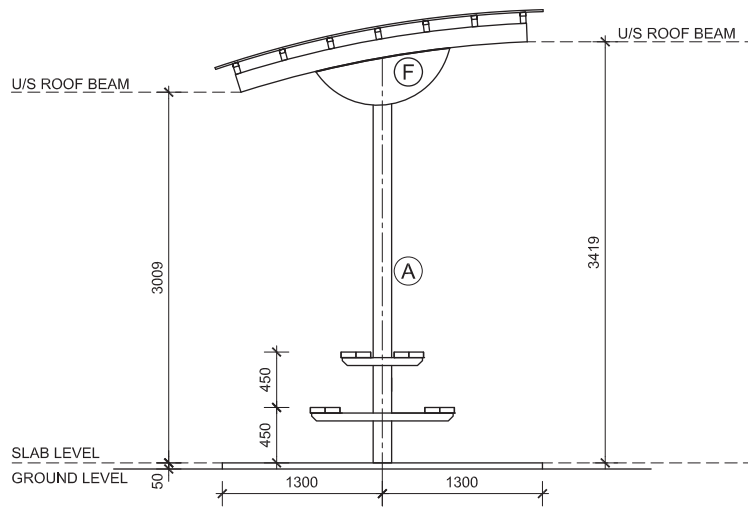


**Outdoor Structures
Australia**
outlasts and outperforms

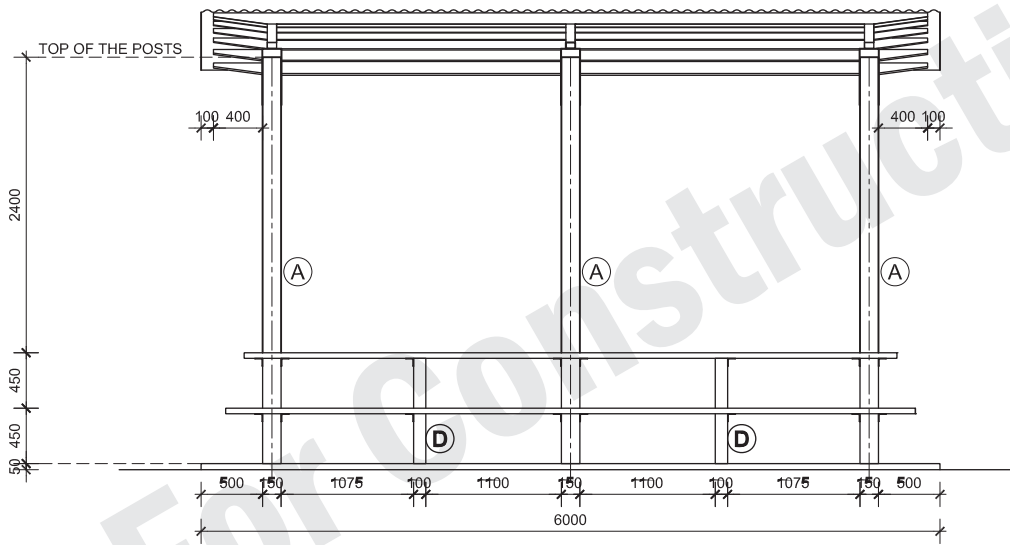
Old College Road, Gatton, Queensland 4343
PO Box 517, Gatton, Queensland, Australia 4343

Telephone: (07) 5462 4255
Facsimile: (07) 5462 4077

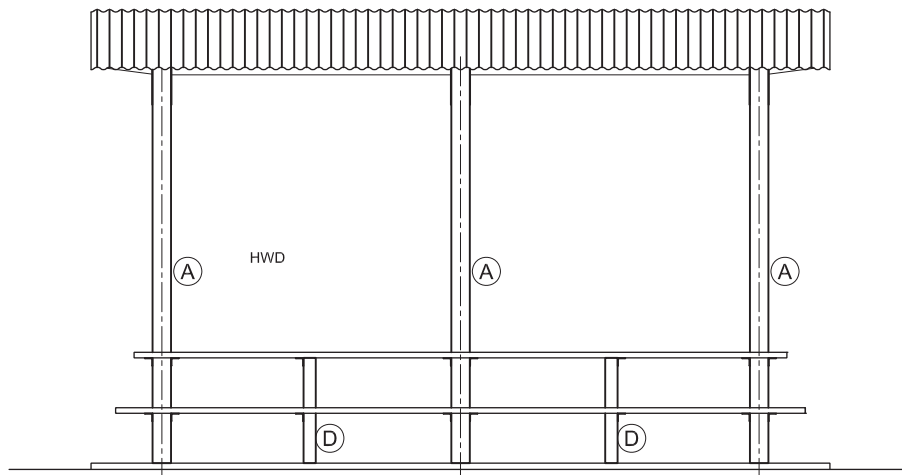
Email: ted@outdoorstructures.com.au
Website: www.outdoorstructures.com.au



1 SIDE ELEVATION 1:50
WD-01



2 FRONT ELEVATION 1:50
WD-01



3 REAR ELEVATION 1:50
WD-01

Note: Scale is for A3