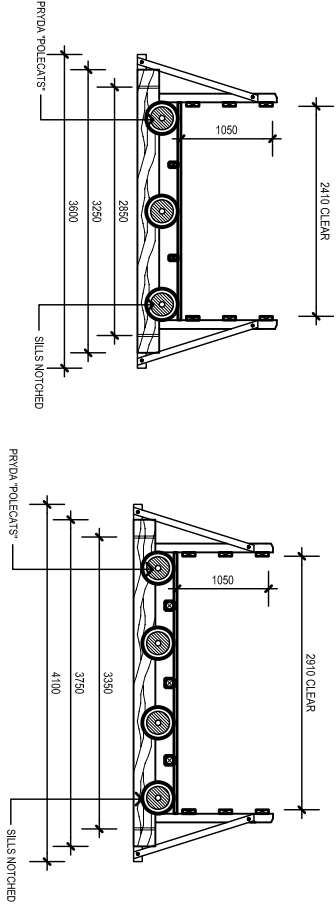
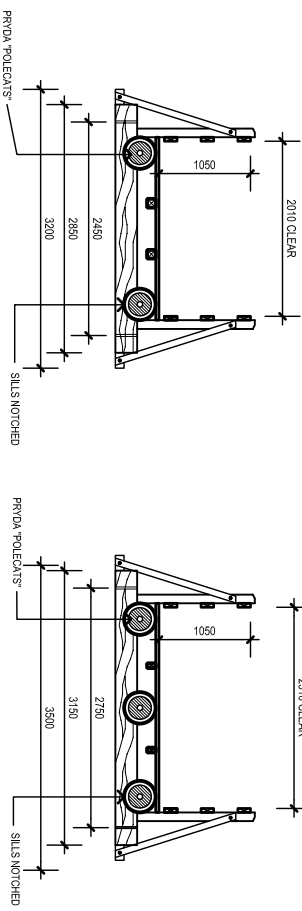
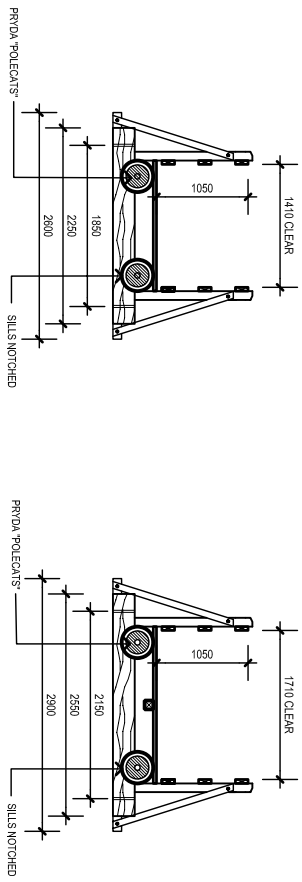
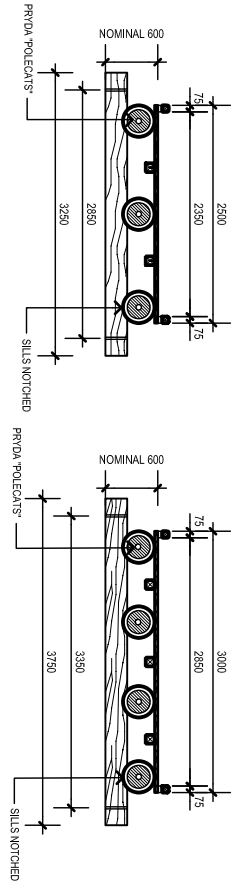
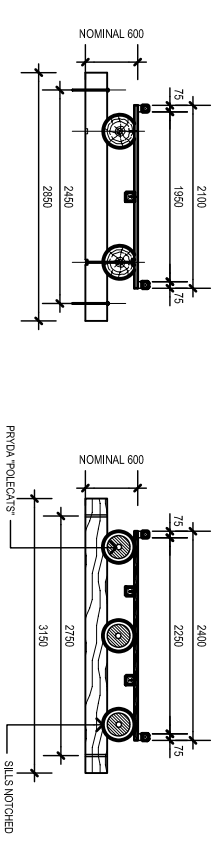
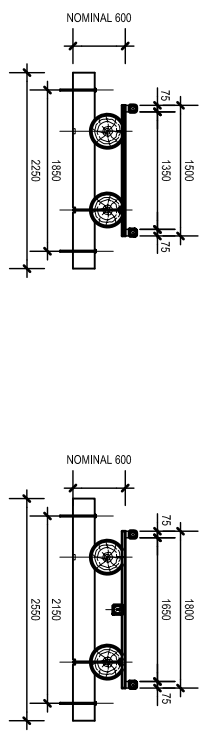


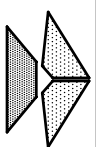
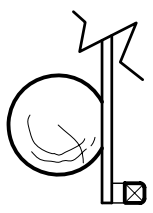
STANDARD PEDESTRIAN BRIDGE OPTIONS



STANDARD KERB DECK OPTIONS



- NOTES**
1. Capsills to be Durability Class 1 with anti split plates fitted each end
 2. Capsills to length to fit between pony truss braces
 3. Pryda pole plates to all pole ends
 4. Girder size varies depending on span and log availability which can therefore effect overall height
 5. MAXIMUM LENGTH IS 8.3 M OVERALL, 7.8 M C/C AT HOLD DOWNS



Outdoor Structures Australia
Practical solutions that enhance community design projects

Old College Road, Gattin, Queensland, Australia
PO Box 517, Gattin, Queensland, Australia, 4343
Ph: (07) 5462 4255 Fax: (07) 5462 4077
Email: timber.t@outdoorstructures.com.au
Website: www.outdoorstructures.com.au

Date	DEC 2006	STANDARD BRIDGE & KERBED DECK OPTIONS	Description
DRAWN	E.M.S.		
Approved	E.M.S.	Scale	N.T.S.
E.M.S.		Job No	O.S.A.
		Drawing No	LS-SD 2 OF 3